

ÇUKUROVA



WHEEL LOADER 990

“Reaching Further...”



Engine

Brand	JOHN DEERE
Model	6090HF485, Tier III
Type	Water cooled, 4 cycle, 6 cylinders in-line, direct injection, turbocharged
Rated power	300Hp / 224 kW
Rated Speed	2000 rpm
Displacement	9,0 liters
Bore and Stroke	118,4 x 136
No of cylinders	6 cylinder
Max. Torque	1421Nm@1500rpm
Balancer shaft	100% Balanced
Cooling	Water cooled

Electrical System

Battery	2x12V / 120Ah
Starter	24V / 7,8kW
Alternator	24V / 100A

Drive Train

Transmission:

Make	ZF
Type	Full auto-shift and automatic kick down
Max. drawb. pull	229 kN

Travel Speeds

1st (Forward/reverse)	7,40/7,40 km/h
2nd (Forward/reverse)	12,3/12,3 km/h
3rd (Forward/reverse)	19,0/27,0 km/h
4th (Forward/-)	40 / - km/h

Axles:

ZF Front Axle and Rear Axles

- High input torque with planetary design.
- Self adjusting high torque internal wet multi disc service brake.
- 24 degrees total oscillation on rear axle.
- Limited slip differential.

Hydraulic System

- Hydraulic operated control valves enable operators to have smooth control and get precise movement.

System type	Closed center
Hydraulic pump	Load sensing with axial piston pump
Max. Flow	360 lt/min
Max. Press.	250 bar

Hydraulic cycle time

Raise	5,9 sec
Dump	2,0 sec
Lower	2,5 sec
Total	10,4 sec

Lift cylinder / Double acting

Bore and stroke	170x840 mm
-----------------	------------

Tilt cylinder / Double acting

Bore and stroke	200x672 mm
-----------------	------------

Steering cylinder / Double acting

Bore and stroke	90x582 mm
-----------------	-----------



WHEEL LOADER 990

Brakes

2 wheel / 4 wheel	4 wheel
Service type	Hydraulic wet multi-disc
Parking type	Electro-hydraulic caliper disc brake

Steering

Steering Type	Articulated
Angle of frame articulation	40°
Outside turning radius from tire	6310 mm
Outside turning radius from bucket	7100 mm

Loader Attachment

Bucket capacity	4,5 m3
Breakout Force shovel	218 kN
Bucket width	3200 mm
Tipping load (straight)	21300 kg
Tipping load (40° turn)	18790 kg

Tyres

Front	26,5-25
Rear	26,5-25

Weights

Operating Weight	24250 kg
------------------	----------

- Illustrations and data may differ from standard equipment
- Specifications are subject to change without notice.
- See your ÇUKUROVA dealer for available options.

Cabin

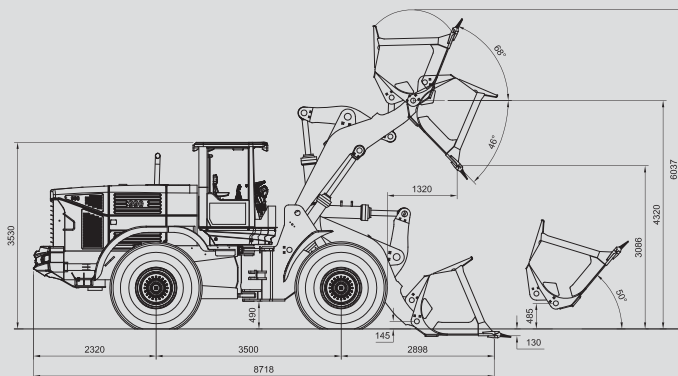
- ROPS (ISO 3741) - FOPS (ISO 3449) tinted safety glass giving total visibility, roomy and comfortable.
- Seat; adjustable to operator's weight.
- Heating and ventilation; fresh air heater/blower unit, full heating control system.
- Fully equipped instrument panels with the latest technology, audible and visual warnings on main functions.
- Tilttable and adjustable steering column.
- Ergonomic controls.



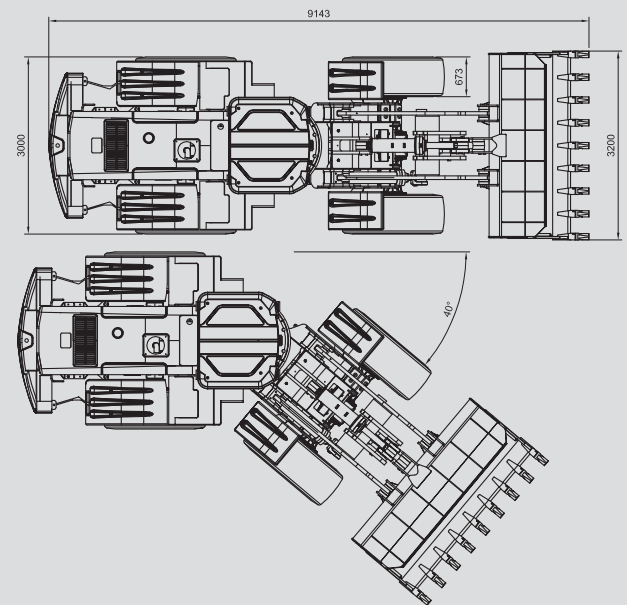
Capacities

Capacities	Liters
Engine Oil	31,0
Cooling System	45,0
Fuel Tank	400,0
Hydraulic Tank	180,0
Transmission oil	32,0
Front Axle	42,0
Rear Axle	42,0

ÇUKUROVA 990



CE marked - All safety measurements are taken through the Machinery Directives 2006/42/EC



Phone : 0090 324 616 26 78 Fax : 0090 324 616 32 20
 Şahin Mah. Sait Polat Biv. No:322 /A E-mail : info@cumitas.com
 Tarsus - Mersin / TÜRKİYE www.cumitas.com

Dealer