

ÇUKUROVA

Makina İmalat ve Ticaret A.Ş.

888

BACKHOE LOADERS



Powerful Engine

Powering it with PERKINS ZIV turbocharged diesel engine which offers world-class performance and complies with all relevant environmental regulations.

Optimum Weight Distribution

The new generation Cukurova Backhoe Loaders are designed to have Optimum Weight Distribution giving safe, stable steering on the highway and provides a solid digging platform.

Improved Performance

The new generation CUKUROVA 888 model Backhoe Loaders is the ideal combination of concentrated power, safety and extreme user-friendliness. Cukurova was one of the pioneers in using new generation control system for backhoe loaders. This system of hydraulic operated joystick controls, for both backhoe and loader attachments enable operators to spend less effort with much greater precision of movement during working. This system provides better controllability, maintains motion under any flow or load, takes the strain from the operator; increases oil life and reduces oil reservoir temperature.

Excavator Style Comfort

For backhoe, CUKUROVA 888 offers an extra operating comfort by assembling the hydraulic joysticks on separately adjustable backhoe joystick columns placed at the right-left side of the cab. This innovation exceeds the operator demands in so far that they can arrange the columns to their working position by gaining extra space for their free body movement. In this way they feel like they are in an excavator, all the controls are within their easy reach and thus are comfortable while working.

Automatic return to dig system

The 888 provides you with automatic return to dig system as standard to get max efficiency with reduced cycle times by leveling the loader bucket back to dig position with a pull of loader joystick.



RE

EE



RE



Features

Roomy ROPS/FOPS Cab

Specially designed ROPS/FOPS cab provides perfect operating comfort, excellent visibility with tinted safety glass. Front and side control panels are all equipped with the latest technology and guides the operator to failures with the audible and visual warnings on main functions.

A well designed dash within reach

Sitting in the driver's seat is a lot like sitting in a automobile. The tiltable front dash provides all switches and controls to be closer to the driver. There's no stretching, so there's less fatigue. On right side dash, a large, easy-to-read, standard operator display features a maintenance indicator, hour meter, fuel level gauge, engine oil temperature gauge, engine rpm to name a few.

Steering Column

The steering column can be adjusted to an infinite amount of positions for maximum comfort, increased belly room and improved visibility of all indicators by simply pressing the quick-release foot pedal.

Dash Finishes

The dash comes nicely appointed in two finishes.

Easy Cab Entry

Sculpted, self-cleaning steps and a full-size grab bar provide an extra measure of safety getting in and out of the cab. Partial opening of cab doors.



CE marked- All safety measurements are taken through the Machinery Directives 2006/42/EC

Serviceability

Three-pieces engine hood

Aerodynamic hood design provides operator to access all the necessary maintenance points easily and quickly thus spending less time and effort.

Bolt type cylinder heads

For maintenance and repair Cukurova 888 model Backhoe Loaders supply a lot of noteworthy benefits for the operator. Bolt type cylinder head assembly for cylinders provides quick replacement of cylinder seal kit during the overhaul of the machine keeping the spare parts cost at minimum.

Sealed pins and bushing

Sealed pins and bushing extend the life of the linkages of the attachments by preventing the entry of dust or blockages and increases the time between service periods.





Engine

Make	Perkins			
	Stage II	Stage III A	Stage IV	Stage V
Model	1104C-44T	1104D-44TA	1204F-E44TA	904J-E36TA
Type	4 stroke diesel, turbo charged			
Rated Power	100hp/74,5 kW			
Rated Speed	2200rpm		2200rpm	2200rpm
Displacement		4,4 L.	4,4 L.	3,6 L.
Bore and Stroke	105x127 mm			98*120 mm
No of Cylinders	4			
Max. Torque	408 Nm	410 Nm	450 Nm	430 Nm
Cooling	Water cooled engine oil radiator.			

Hydraulic Control System

- Bolt type cylinder design with all sealed pins and bushings for easy maintenance and long life
- Cushioned Swing and Boom provides maximum operator comfort for fast and smooth trenching

System Type	Open Center	Closed Center
Hydraulic Pump	Tandem Gear	Axial Piston Pump
Max. Flow	90+64 l/min	
Max. Press.	220 bar	
Hydraulic oil filter	Full flow filter in return line with integrated fine filter area	
Hydraulic oil cooler	Hydraulic and transmission oil cooler	

DEER



Engine

- Heavy duty desing, high torque capability, powerful PERKINS engine.
- Impressive low speed torque to deliver improved machine response.
- ECC filtration system provides high quality construction with a re-usable canister, a disposable inner element and a simpler service process.
- Low fuel consumption and low maintenance cost.
- Environmental
- Dry type air cleaner with primary and safety elements.

Turning Circle(without brakes)	4x4 Mod	4x4x4 Mod
Outer Front Tire Clearance	15600 mm	11400 mm
Outer Loader Bucket Clearance	17000 mm	9485 mm

Electrical System

Electrical	12 / 120 V /Ah			
Starter	3,2 kW	3,2 kW	3,2 kW	4,0 kW

Steering:

- Hydrostatic power steering.
- Load sensing system.

Drive Train

- 4 Wheel drive
- Carraro automatic powershift transmission
- Low noise and low internal speeds

Make	Carraro
Type	Automatic Powershift
Transmission disconnect	With push button and brake system

Travel Speeds

1st (foward/reverse)	5,97/5,97 km/h
2nd (foward reverse)	9,60/ 9,60 km/h
3rd (foward/reverse)	21,20/21,20 km/h
4th (foward/reverse)	40,00 / 40,00 km/h

Hydraulic System

Backhoe Controls	Joystick Control
Loader control	Joystick Control

Axles:

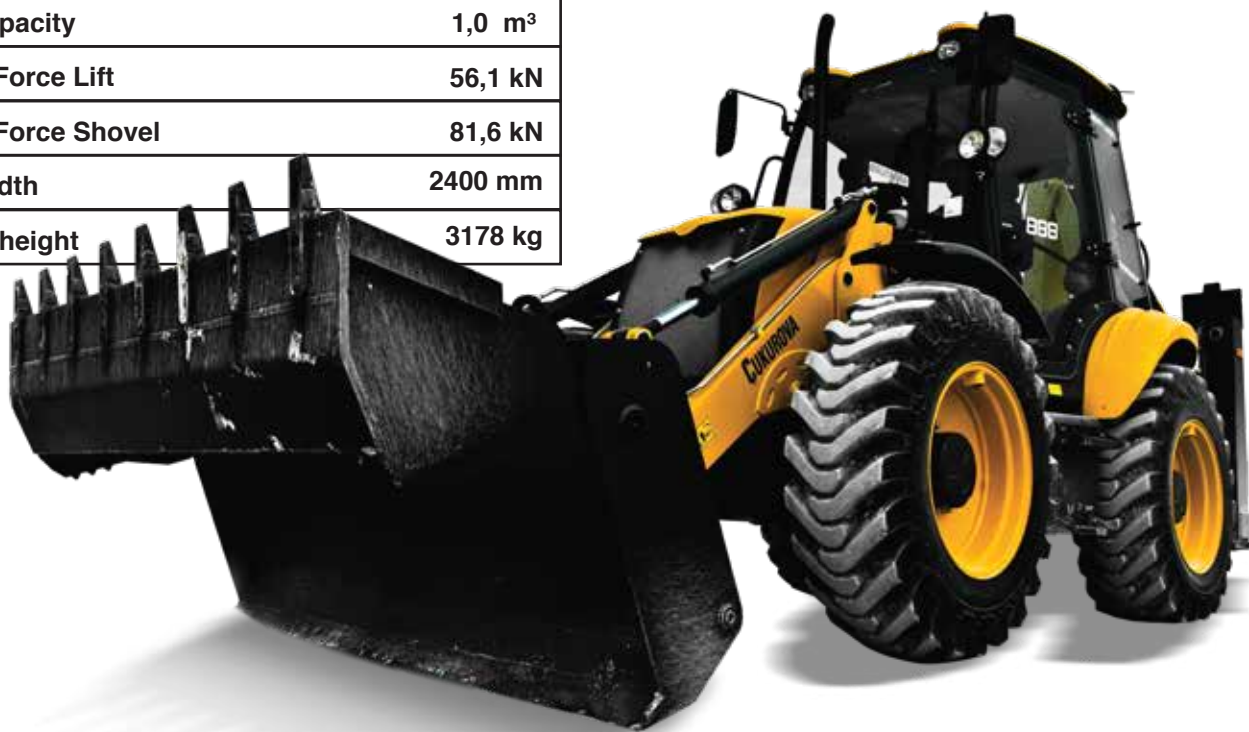
Carraro Axles

- 4WD is engaged by the switch on front instrument panel.
- 4WD can be engaged in all applications; load and carry, roading, in any gear forward or reverse.
- Outbord planetary reduction gears.
- Electro-hydraulic operated differential %100 locking acts an rear axle.
- 16° total oscillation on front axle
- 52 degrees steering angle for perfect maneuverability.

Brakes:

- Hydraulically foot operated service brake two pedals acted on four wheels.

Service Type	Hydraulic Wet Multi-disc
Parking Type	Mechanical control on rear axle
Loader Attachment	
Shovel Capacity	1,0 m ³
Breakout Force Lift	56,1 kN
Breakout Force Shovel	81,6 kN
Shovel Width	2400 mm
Lift to full height	3178 kg



Steering:

- Electrial controlled 3 different steering modes
- A. 2-wheel front steering for road drive
 - B. 4-wheel steering for tight turns
 - C.4-wheel “crab” steering for close - to wall dipping and ditch closing

Backhoe Attachment	
Max. Bucket Tearout	59,1 kN
Dipper Tearout	
Retracted	31,8 kN
Extended	22,4 kN

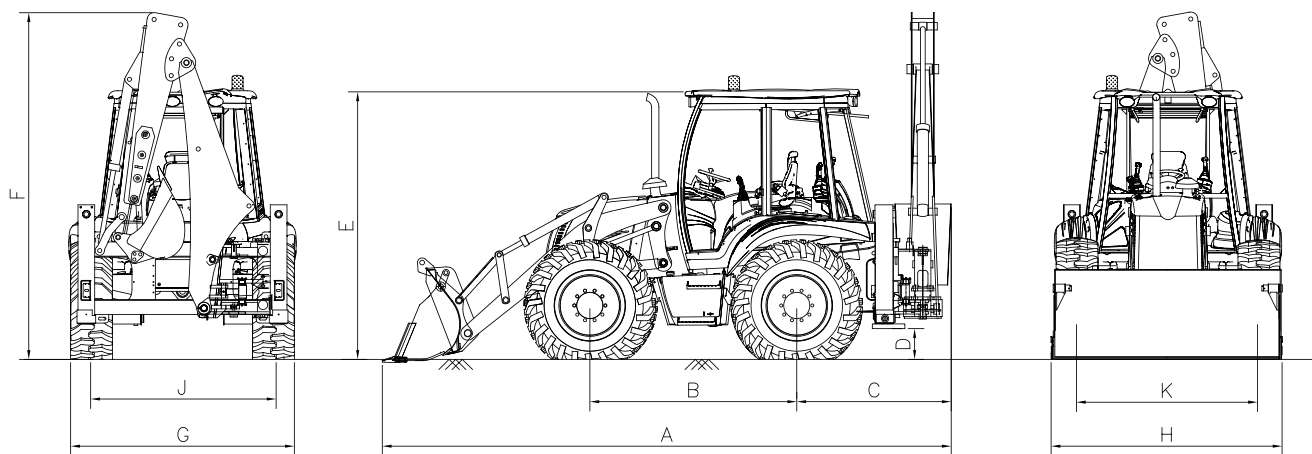
Tyres	
4WD	
Front	16,9-28
Rear	16,9-28

Cab

- Specially designed ROPS/FOPS cab provides perfect operating comfort, excellent visibility, and reliability.
- Full-opening of rear side windows, partial and full-opening of the doors provide superior fresh air circulation in the cab, tinted safety glass improves visibility and sun visor protects operator against strong sunlight and ensures clear vision.
- Seat; adjustable to operator s weight.
- Front and side control panels are fully equipped with the latest technology, the arrangement of controls are within easy reach, the audible and visual warning on main function guide operator for failure and adjustable steering column as standard gives extra driving comfort to the operator.

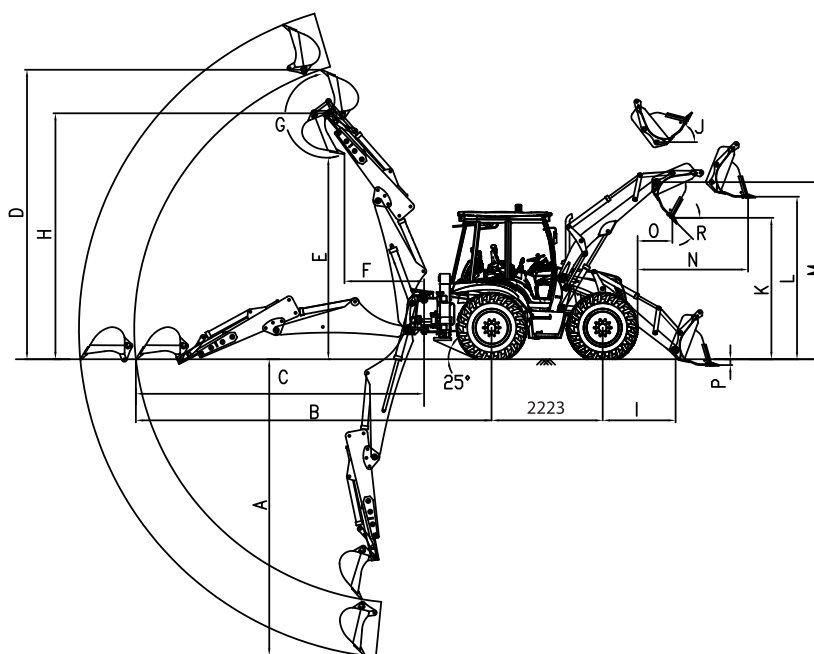
Weights	
Operating Weight	8700-9750kg

Capacities	Liters
Engine Oil	8,4
Cooling System	25,0
Fuel Tank	140,0
Hydraulic Tank	75,0
Hydraulic System	130,0
Front Axle	11,5
Rear Axle	16,0
Transmission Oil	19,0



A- Overall Machine Length	6375 mm
B- Wheelbase	2223 mm
C- Backhoe Swing Centre Distance	1355 mm
D- Minimum Machine Height	385 mm
E- Cab Height	2930 mm

F- Machine Maximum Height	3880 mm
G- Machine Maximum Width	2400 mm
H- Overall Width - with Bucket	2400 mm
J- Rear Wheel Track	1950 mm
K- Front Wheel Track	1950 mm



Bachkoe Dimensions	Retracted	Extended
A- Max. Digging Depth	4600 mm	5800 mm
B- Max. Reach From Rear Axle Center	7000 mm	8100 mm
C- Max. Reach From Swing Center	5700 mm	6800 mm
D- Max. Digging Height	5600 mm	6450 mm
E- Max. Dumping Height	2650 mm	4700 mm
F- Loading Reach	1800 mm	3810 mm
G- Bucket Rotation Angle	200,4°	200,4°
H- Max Bucket Hinge pin Height	4750 mm	5550 mm

Loader Dimensions	
I- Distance Between Hinge Pin and Front Axle Center	1550 mm
J- Max. Rollback Angle, Fully Raised	59,2°
K- Dump Height	2865 mm
L- Loadover Height	3450 mm
M- Height to Hinge Pin	3590 mm
N- Max. Reach at Full Height	1620 mm
O- Dumping Reach	595 mm
P- Digging Depth	117 mm
R- Dump Angle	45°

- Illustrations and data may differ from standard equipment.
- Specifications are subject to change without notice.
- See your CUKUROVA dealer for available options.



Engine System

- Air cleaner, dry type and radial seal
- Air filter condition indicator lamp
- Starting system thermal aid
- Turbocharged

Electrical System

- Alarm, backup
- Battery, 12 V, 120 Ah
- Front headlights
- Master switch
- Visual and audible warning systems on main functions
- Warning horn

Drive Train

- Electro-hydraulic differential lock
- 4 WD
- 40 kph Transmission

ROPS/FOPS Cab

- Adjustable seat with seat belt and armrest
- Adjustable steering column
- Cab recirculating fan
- Cigarette lighter
- Front windshield washer and wiper
- Left-right side doors with locks
- Mirrors, exterior (2), interior (1)
- Rear windshield wipers
- Rotating beacon (detachable)
- Steering wheel spinner knob
- Sunvisor
- Tinted glass
- Tool box, external
- Ventilation openers
- Working lights, 2 front and 4 rear

Attachments, Front Loader

- General purpose bucket
- Loader arm safety strut

Attachments, Backhoe

- Electro-hydraulic side shifting lock
- ISO pattern controls
- Swing and Boom transport lock with mechanical control from the cab
- Standard-duty bucket(600mm)
- Stabilizer safety check valves



Optional Equipment Attachments, Front Loader

- Bolton segment
- (EHSS) Electro Hydraulic Suspensions System
- Fork attachment
- Loader Quick Coupler
- Multipurpose bucket
- Safety check valves
- Snow Plough Attachments, Backhoe

Attachments, Backhoe

- Auger
- Backhoe quick coupler
- Compactor
- Different size of backhoe buckets

- Grading bucket
- Grapple
- Hydraulic hammer piping
- Hydraulic hammer
- Safety check valves
- Trapezoidal Bucket
- Telescopic boom

OTHERS

- Air pre-cleaner
- Air condition
- Fuel Pre-Heater
- Hydraulic system
- 3* Fuel filter
- Axial Piston Pump
- Working lights 4 front and 4 rear
- Different Size Fuel Tanks
- Bigger Size Pump and Valves



ÇUKUROVA

Makina İmalat ve Ticaret A.Ş.

With a keen awareness of its international positioning, as a pre-requisite of success and growth in a truly global era, Cukurova Makina manages collaborations with leading international partners in Turkey and abroad aiming at long-term benefit of our customers, business partners and staff. These cooperative efforts aim to achieve the highest quality of products and service delivery by Cukurova Makina where it has presence in global.

Sahin Mah. Sait Polat Blv. No:322 / ATarsus - Mersin / TURKIYE

Phone : 0090 324 616 26 78 Fax : 0090 324 616 32 20 E-mail : export@cumitas.com

Authorized Dealer

www.cumitas.com

