

ÇUKUROVA

Makina İmalat ve Ticaret A.Ş.

883 - 885

BACKHOE LOADERS



Powerful Engine

Powering it with PERKINS turbocharged diesel engine which offers world-class performance and complies with all relevant environmental regulations.

Optimum Weight Distribution

The new generation Cukurova Backhoe Loaders are designed to have Optimum Weight Distribution giving safe, stable steering on the highway and provides a solid digging platform.

Improved Performance

CUKUROVA Backhoe Loaders are the ideal combination of concentrated power, safety and extreme user-friendliness.

Ergonomically located, control levers are within easy reach of the operator, provides operating comfort and increase productivity.

Cukurova was one of the pioneers in using new generation control system for backhoe loaders. This system of hydraulic operated joystick controls, is used in 885 model for both backhoe and loader model enable operators to spend less effort with much greater precision of movement during working. This system provides better controllability, maintains motion under any flow or load, takes the strain from the operator; increases oil life and reduces oil reservoir temperature.



BE

WE

Excavator Style Comfort (885)

For backhoe, CUKUROVA 885 offers an extra operating comfort by assembling the hydraulic joysticks on separately adjustable backhoe joystick columns placed at the right-left side of the cab. This innovation exceeds the operator demands in so far that they can arrange the columns to their working position by gaining extra space for their free body movement. In this way they feel like they are in an excavator, all the controls are within their easy reach and thus are comfortable while working.

Automatic return to dig system (885)

The 885 provides you with automatic return to dig system as standard to get max efficiency with reduced cycle times by leveling the loader bucket back to dig position with a pull of loader joystick.



Roomy ROPS/FOPS Cab

Specially designed ROPS/FOPS cab provides perfect operating comfort, excellent visibility with tinted safety glass.

A well designed dash within reach

Sitting in the driver's seat is a lot like sitting in an automobile. The tiltable front dash provides all switches and controls to be closer to the driver. There's no stretching, so there's less fatigue. On right side display, a large, easy-to-read, standard operator display features an hour meter, fuel level gauge, engine coolant temperature gauge, engine rpm to name a few.

Steering Column

The steering column can be adjusted to an infinite amount of positions for maximum comfort, increased belly room and improved visibility of all indicators by simply pressing the quick-release foot pedal.

Dash Finishes

The dashboard comes nicely appointed in two finishes.

Easy Cab Entry

Sculpted, self-cleaning steps and a full-size grab bar provide an extra measure of safety getting in and out of the cab. Partial opening of cab doors.



Serviceability

Three-pieces engine hood

Aerodynamic hood design provides operator to access all the necessary maintenance points easily and quickly thus spending less time and effort.

Bolt type cylinder heads

For maintenance and repair Cukurova 883-885 model Backhoe Loaders supply a lot of noteworthy benefits for the operator. Bolt type cylinder head assembly for cylinders provides quick replacement of cylinder seal kit during the overhaul of the machine keeping the spare parts cost at minimum.

Sealed pins and bushing

Sealed pins and bushing extend the life of the linkages of the attachments by preventing the entry of dust or blockages and preventing the time between service periods.





Engine

Make	Perkins			
	Stage II	Stage III A	Stage IV	Stage V
Model	1104C-44T	1104D-44TA	1204F-E44TA	904J-E36TA
Type	4 stroke diesel, turbo charged			
Rated Power	100hp/74,5 kW			
Rated Speed		2200rpm	2200rpm	2200rpm
Displacement		4,4 L.	4,4 L.	3,6 L.
Bore and Stroke		105x127 mm		98*120 mm
No of Cylinders	4			
Max. Torque	408 Nm	410 Nm	450 Nm	430 Nm
Cooling	Water cooled engine oil radiator.			

Hydraulic Control System

- Bolt type cylinder design with all sealed pins and bushings for easy maintenance and long life
- Cushioned Swing and Boom provides maximum operator comfort for fast and smooth trenching

System Type	Open Center	Closed Center
Hydraulic Pump	Tandem Gear	Axial Piston Pump
Max. Flow	90+64 l/min	162 l/min
Max. Press.	220 bar	
Hydraulic oil filter	Full flow filter in return line with integrated fine filter area	
Hydraulic oil cooler	Hydraulic and transmission oil cooler	

DEER



Engine

- Heavy duty desing, high torque capability, powerful PERKINS engine.
- Impressive low speed torque to deliver improved machine response.
- ECC filtration system provides high quality construction with a re-usable canister, a disposable inner element and a simpler service process.
- Low fuel consumption and low maintenance cost.
- Environmental
- Dry type air cleaner with primary and safety elements.

Electrical System

	Stage II-III	Stage IV-V
Starter	3,2 kW	4,0 kW
Battery	12 / 120 V /Ah	

Hydraulic System

883

885

Backhoe Controls	Mechanical control levers	Hydraulic joystick controls
Loader control	Mechanical control levers	Hydraulic joystick controls

Drive Train

- 4 Wheel drive
- Low noise and low internal speeds.

Make	Carraro / ZF
Type	Powershift
Transmission disconnect	With brake system (883) With push button and brake system (885)
Ride Control (EHSS)	
Travel Speeds	
1st (foward/reverse)	6,50 /7,00 km/h
2nd (foward reverse)	11,00/ 12,00 km/h
3rd (foward/reverse)	26,00/30,00 km/h
4th (forward/-) zf	40,00 / - km/h
4th (forwad/reverse) Carraro	40,00 / 40,00 km/h

Axles:

Front Axle

- Ease of operation with hydrostatic steering system even under high load conditions.
- Limited slip differential.
- 16° total oscillation on front axle.
- 52°degrees streering angle for perfect maneuverability.

Rear Axle

- High input torque with outboard planetary design.
- Electro-hydraulic operated differential %100 locking acts on rear axle.
- Self adjusting high torque internal wet multi disc service brake.

FUTURE



Brakes:

- Internal with disc brakes.
- Foot operated hydraulically boosted service brake. Two pedals acted on four wheels.

Backhoe Attachment

Max. Bucket Tearout	59,1 kN
---------------------	---------

Dipper Tearout

Retracted	31,8 kN
Extended	22,1 kN
Digging Force	59,1 kN
Swing arc	180°

Cab

- Specially designed ROPS/FOPS cab provides perfect operating comfort, excellent visibility, and reliability.
- Full-opening of rear side windows, partial and full-opening of the doors provide superior fresh air circulation in the cab, tinted safety glass improves visibility and sun visor protects operator against strong sunlight and ensures clear vision.
- Seat; adjustable to operator's weight.
- Front and side control panels are fully equipped with the latest technology, the arrangement of controls are within easy reach, the audible and visual warning on main function guide operator for failure and adjustable steering column as standard gives extra driving comfort to the operator.
- Heated and air-conditioned cab
- Cab tested and approved as per ISO 3471,3449

Steering

Steering Type	2 Wheel
Power Type	Hydrostatic

Turning Circle (without brakes)	883	885
Outer Front Tire Clearance	9500 mm	12170 mm
Outer Loader Bucket Clearance	12320 mm	14600 mm

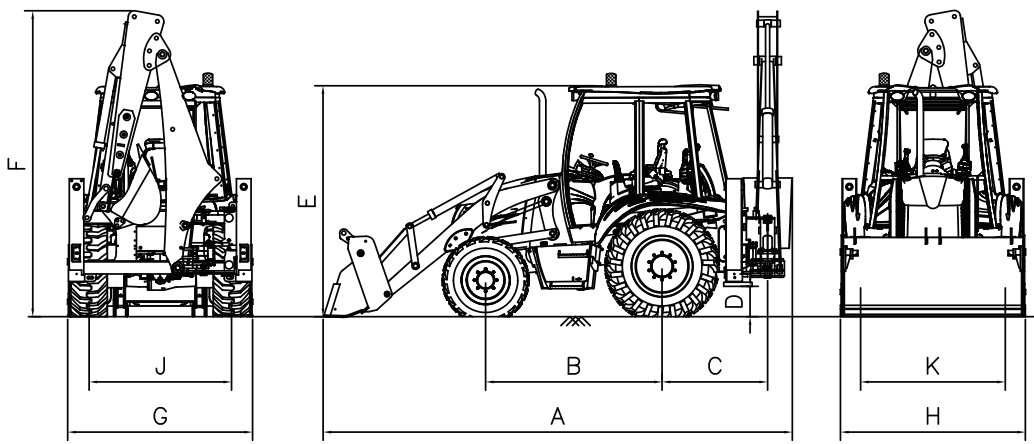
Loader Attachment	883	885
Bucket Capacity	1,0 m ³	1,0 m ³
Breakout Force Lift	60,5 kN	56,1 kN
Breakout Force Shovel Max	81,5 kN	81,6 kN
Shovel Width	2280 mm	2280 mm
Lift to full height	3500 kg	3178 kg
Tipping load	5901 kg	6816 kg

Tyres	883	885
4WD		
Front	12,5 / 80-18	14,5 / 20
Rear	16,9-28	16,9-28

Weights

883 Operating Weight	7800-8750 kg
885 Operating Weight	8000-8950 kg

Capacities	Liters
Engine Oil	84
Cooling System	25,0
Fuel Tank	140,0
Hydraulic Tank	75,0
Hydraulic System	130,0
Front Axle	7,8
Rear Axle	16,0

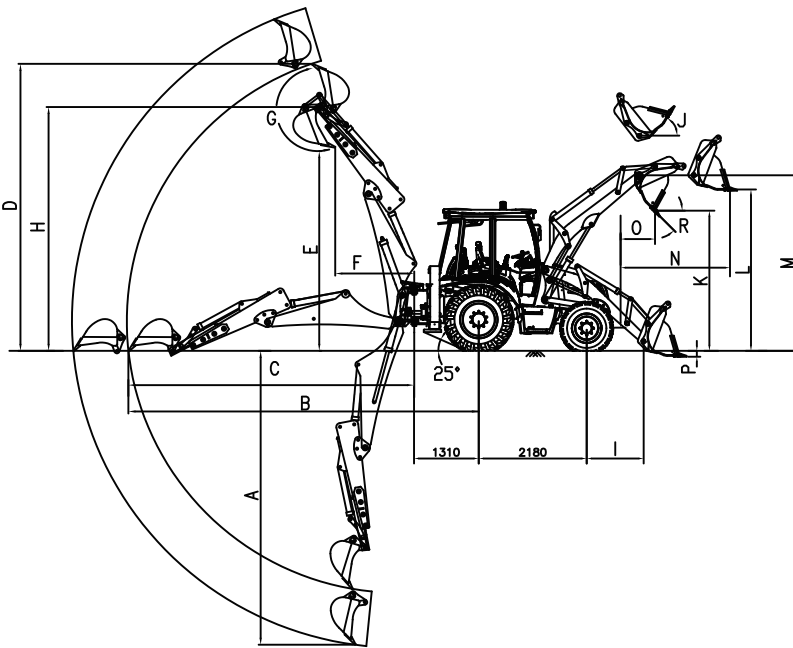


883 885

883 885

A- Overall Machine Length	5950 mm	6100 mm
B- Wheelbase	2180 mm	2180 mm
C- Backhoe Swing Centre Distance	1310 mm	1310 mm
D- Minimum Machine Height	380 mm	400 mm
E- Cab Height	2900 mm	2900 mm

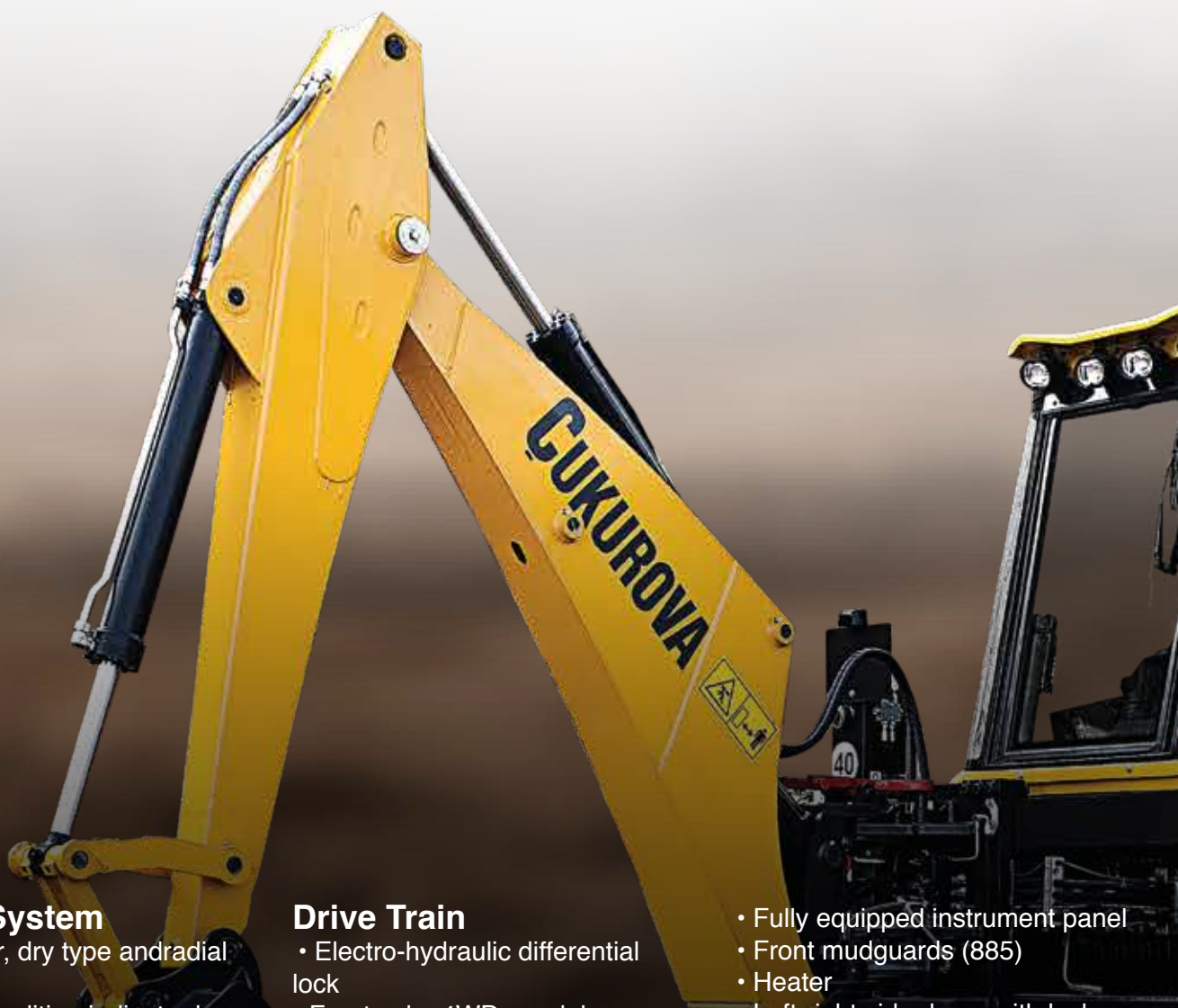
F- Machine Maximum Height	3900 mm	3900 mm
G- Machine Maximum Width	2280 mm	2280 mm
H- Overall Width - with Bucket	2280 mm	2280 mm
J- Rear Wheel Track	1770 mm	1770 mm
K- Front Wheel Track	1895 mm	1820 mm



Bachkoe Dimensions	Retracted	Extended
A- Max. Digging Depth	4600 mm	5800 mm
B- Max. Reach From Rear Axle Center	7000 mm	8100 mm
C- Max. Reach From Swing Center	5700 mm	6800 mm
D- Max. Digging Height	5600 mm	6450 mm
E- Max. Dumping Height	3850 mm	4700 mm
F- Loading Reach	1800 mm	2650 mm
G- Bucket Rotation Angle	200,4°	200,4°
H- Max Bucket Hinge pin Height	4750 mm	5550 mm

Loader Dimensions	883	885
I- Distance Between Hinge Pin and Front Axle Center	1220 mm	1460 mm
J- Max. Rollback Angle, Fully Raised	59,2°	59,2°
K- Dump Height	2810 mm	2950 mm
L- Loadover Height	3280 mm	3370 mm
M- Height to Hinge Pin	3520 mm	3670 mm
N- Max. Reach at Full Height	1070 mm	1125 mm
O- Dumping Reach	620 mm	685 mm
P- Digging Depth	110 mm	113 mm
R- Dump Angle	45°	45°

- Illustrations and data may differ from standard equipment.
- Specifications are subject to change without notice.
- See your CUKUROVA dealer for available options.



Engine System

- Air cleaner, dry type and radial seal
- Air filter condition indicator lamp
- Starting system thermal aid
- Turbocharged

Electrical System

- Alarm, backup
- Battery, 12 V, 120 Ah
- Front headlights
- Master switch
- Visual and audible warning systems on main functions
- Warning horn

Drive Train

- Electro-hydraulic differential lock
- Front axle, 4WD pendulum mount
- Front axle, limited slip differential
- Transmission neutralizer switch (885)
- 40 kph gearbox (full powershift)

ROPS/FOPS Cab

- Adjustable seat with seat belt and armrest
- Adjustable steering column
- Cab recirculating fan
- Cigarette lighter
- Front windshield washer and wiper

- Fully equipped instrument panel
- Front mudguards (885)
- Heater
- Left-right side doors with locks
- Mirrors, exterior (2), interior (1)
- Rear windshield wipers
- Rotating beacon (detachable)
- Steering wheel spinner knob
- Sunvisor
- Storage compartment
- Tinted glass
- Tool box, external
- Ventilation openers
- Working light, 2 front and 4 rear



Optional Equipment

Attachments, Front Loader

- Automatic return to dig (885)
- Float position (885)
- General purpose bucket
- Hydraulic operated joystick control (885)
- Loader arm safety strut

Attachments, Backhoe

- Adjustable backhoe joystick columns (885)
- Electro-hydraulic side shifting lock
- Hydraulic operated joystick controls (885)
- Swing and Boom transport lock with mechanical control from the cab
- Standard-duty bucket (600 mm)
- Stabilizer safety check valves

Attachments, Front Loader

- Bolt-on segment
- (EHSS) Electro Hydraulic Suspensions System
- Fork attachment
- Loader Quick Coupler
- Multipurpose bucket
- Safety check valves
- Snow Plough

Attachments, Backhoe

- Auger
- Backhoe quick coupler
- Compactor
- Different size of backhoe buckets
- Grading bucket
- Grapple
- Hydraulic hammer piping

- Hydraulic hammer
- Safety check valves
- Telescopic boom
- Trapezoidal Bucket

Others

- Air condition
- Air pre-cleaner
- Engine, Tier III
- Front mudguards (883)
- Fuel Pre-Heater
- Variable displacement axial piston pump with load sensig closed center hydraulic system
- 3rd Fuel Filter
- 4WD front shaft guard
- Working lights 4 front and 4 rear
- Different Size Fuel Tanks
- Bigger Size Pump and Valves



ÇUKUROVA

Makina İmalat ve Ticaret A.Ş.

With a keen awareness of its international positioning, as a pre-requisite of success and growth in a truly global era, Cukurova Makina manages collaborations with leading international partners in Turkey and abroad aiming at long-term benefit of our customers, business partners and staff. These cooperative efforts aim to achieve the highest quality of products and service delivery by Cukurova Makina where it has presence in global.

Sahin Mah. Sait Polat Blv. No:322 / ATarsus - Mersin / TURKIYE

Phone : 0090 324 616 26 78 Fax : 0090 324 616 32 20 E-mail : export@cumitas.com

Authorized Dealer

www.cumitas.com

