

# ÇUKUROVA

Makina İmalat ve Ticaret A.Ş.

# 884

**BACKHOE  
LOADER**



## Powerful Engine

Powering it with PERKINS turbocharged diesel engine which offers world-class performance and complies with all relevant environmental regulations. Its low fuel consumption and maintenance costs make the 884 even more attractive.

## ZF Drivetrain

ZF is a renowned specialist for driveline technology and recognized worldwide as innovative systems supplier for off-road machinery. The demands on backhoe loader types are high: fast work with millimeter accuracy and highest productivity combined with reduced operating costs.

## Optimum Weight Distribution

The new generation Çukurova Backhoe Loaders are designed to have Optimum Weight Distribution giving safe, stable steering on the highway and provides a solid digging platform.

## Improved Performance

The new generation 884 backhoe loader is the perfect combination of power, safety and extreme ease of use. The standard 600 mm backhoe bucket coupled with the compact, powerful backhoe, means higher cycle and maximum output.

## Cab

- Specially designed ROPS/FOPS cab provides perfect operating comfort, excellent visibility, and reliability
- Full-opening of rear side windows, partial and full-opening of the doors provide superior fresh air circulation in the cab, tinted safety glass improves visibility and sun visor protects operator against strong sunlight and ensures clear vision.
- Seat; adjustable to operator's weight.
- Front and side control panels are fully equipped with the latest technology, the arrangement of controls are within easy reach, the audible and visual warning on main function guide operator for failure and adjustable steering column as standard gives extra driving comfort to the operator.
- Heated and air-conditioned\* (\*optional) cab.
- Cab tested and approved as per ISO 3471,3449.





# Features

## Roomy ROPS/FOBS Cab

Specially designed ROPS/FOBS cab provides perfect operating comfort, excellent visibility with tinted safety glass. The front and side control panels are purely state of the art and warn the operator with audible lights in case of a failure.



## A well designed dash within reach

Sitting on the driver's seat is a lot like sitting in a automobile. The tiltable front dash provides all switches and controls to be closer to the driver. There's no stretching, so there's less fatigue. On right side dash, a large, easy-to-read, standard operator display features a maintenance indicator, hour meter, fuel level gauge, engine oil temperature gauge, engine rpm to name a few.



## Steering Column

The steering column can be adjusted to an infinite amount of positions for maximum comfort, increased belly room and improved visibility of all indicators by simply pressing the quick-release foot pedal.



## Dash Finishes

The dash comes nicely appointed in two finishes.

## SERVICEABILITY

Three-piece Engine Hood Aerodynamic hood design provides operator to access all the necessary maintenance points easily and quickly thus spending less time and effort



# FULL SCALE



**Features**

# LEA

# DEER



## TECHNICAL SPECIFICATIONS

### Engine

- Heavy duty design, high torque capability, powerful PERKINS engine
- Impressive low speed torque to deliver improved machine response
- Low fuel consumption and low maintenance cost
- Environmental

Dry type air cleaner with primary and safety elements.

Make	Perkins			
	Stage II	Stage III A	Stage IV	Stage V
Model	1104C-44T	1104D-44TA	1204F-E44TA	904J-E36TA
Type	4 stroke diesel, turbo charged			
Rated Power	100hp/74,5 kW			
Rated Speed	2200rpm	2200rpm	2200rpm	2200rpm
Displacement	4,4 L.	4,4 L.	3,6 L.	
Bore and Stroke	105x127 mm		98*120 mm	
No of Cylinders	4			
Max. Torque	408 Nm	410 Nm	450 Nm	430 Nm
Cooling	Water cooled engine oil radiator.			



HYDRAULIC SYSTEM	
System Type	Open Centre
Hydraulic Pump	Tandem Gear
Max. Flow	90 + 64 l/min
Max. System Pressure	235 bar

### Hydraulic system

Backhoe Controls	Mechanical Control Levers
Loader Control	Mechanical Control Levers

### Electrical System

Battery	12 / 120 V /Ah
Starter	3,2 kW (Tier II - III)

Travel speeds	
1st (forward/reverse)	6,50 / 7,00 km/h
2nd (forward/reverse)	11,00 / 12,00 km/h
3rd (forward/reverse)	26,00 / 30,00 km/h
4th (forward/ - )	40,00 / - km/h

Make	ZF
Type	4 Wheel Drive - Powershift
Transmission disconnect	With brake system

### Axles:

#### ZF front axle

- Ease of operation with hydrostatic steering system even under high load conditions.
- Limited slip differential.
- 16° total oscillation on front axle.
- 52°degrees steering angle for perfect manoeuvrability.

#### ZF rear axle

- High input torque with outboard planetary design.
- Electro-hydraulic operated differential %100 locking acts on rear axle.
- Self-adjusting high torque internal wet multi disc service brake

### Brakes

- Internal with disc brakes.
- Foot operated hydraulically boosted service brake. Two pedals acted on four wheels.

# POWER

## Technical specifications



### Easy Cab Entry

Sculpted, self-cleaning steps and a full-size grab bar provide an extra measure of safety getting in and out of the cab. Partial opening of cab doors.

### Bolt type cylinder heads

For maintenance and repair Cukurova 884 model backhoe loaders supply a lot of noteworthy benefits for the operator. Bolt type cylinder head assembly for cylinders provides quick replacement of cylinder seal kit during the overhaul of the machine keeping the spare parts cost at minimum.

### Sealed pins and bushing

Sealed pins and bushings extend the life time of the linkages of the attachments by preventing the entry of dust or blockages and increases the time between service periods.

### Hydraulic Control System

- Bolt type cylinder design with all sealed pins and bushings for easy maintenance and long life
- Cushioned swing and boom provides maximum operator comfort for fast and smooth trenching

### Backhoe attachment

Max. Bucket Tearout	63,1 kN
---------------------	---------

### Dipper Tearout

Retracted	33,9 kN
Extended	23,9 kN

### Steering

Steering type	2 Wheel
Power Type	Hydrostatic

### Loader attachment

Bucket Capacity	1,1 m <sup>3</sup>
Breakout Force - Lift	60,3 kN
Breakout Force - Bucket	67 kN
Bucket Width	2400 mm
Lift to Full Height	3500 kg

### Tyres

Front	14,5 - 20
Rear	16,9 - 28

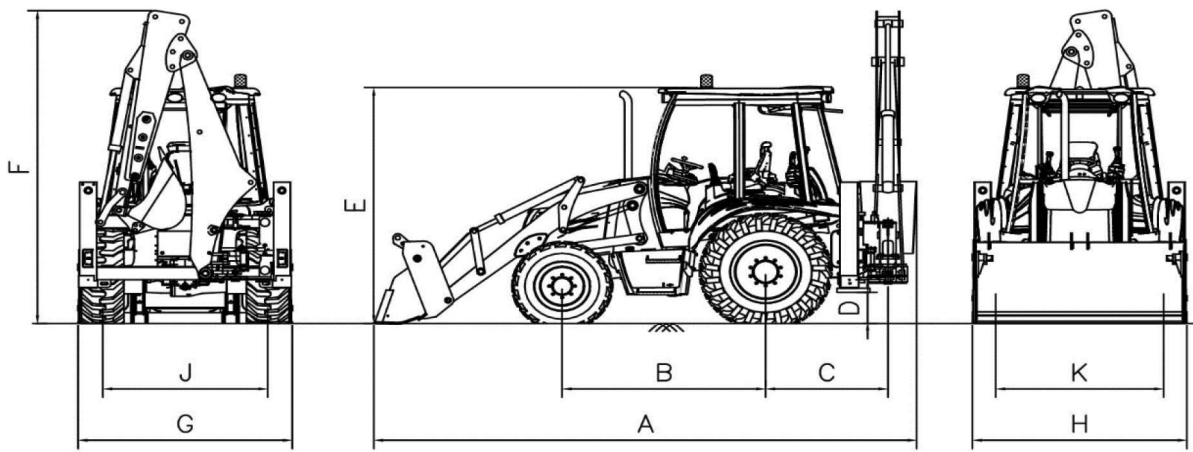
### Weights

Operating Weight	8611 kg
------------------	---------

### Capacities (liter)

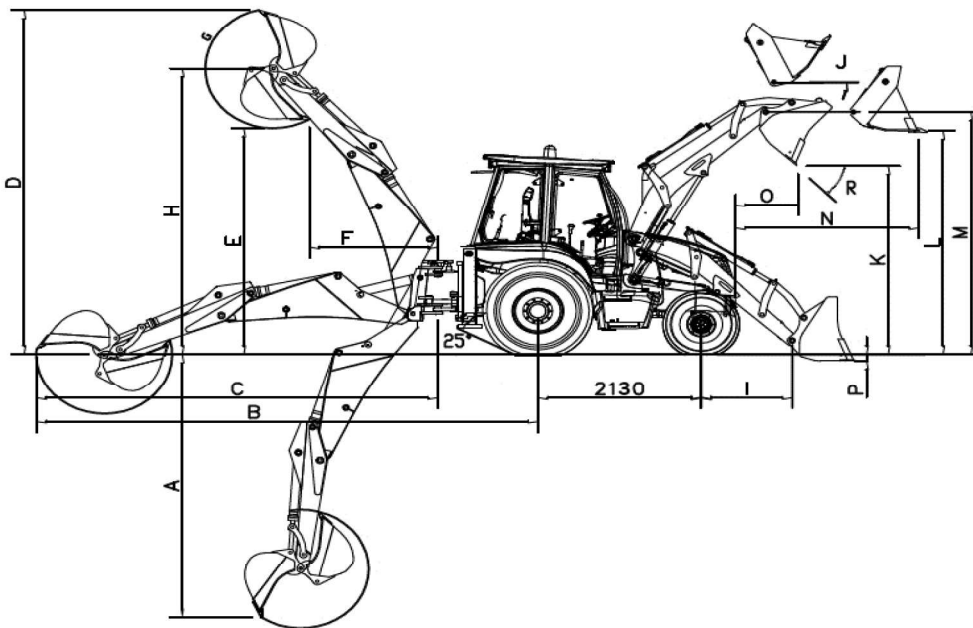
Engine Oil	8,4
Cooling System	25
Fuel Tank	140
Hydraulic Tank	75
Front Axle	7,8
Rear Axle	16





A- Overall Machine Length	6100 MM
B- Wheelbase	2130 MM
C- Backhoe Swing Centre Distance	1280 MM
D- Minimum Machine Height	425 MM
E- Cab Height	2960 MM

F - Maximum Machine Height	3840 MM
G - Maximum Machine Width	2230 MM
H - Overall Width – with Bucket	2400 MM
J – Rear Wheel Track	1760 MM
K – Front Wheel Track	1810 MM



### Backhoe Dimensions

Backhoe Dimensions	Retracted	Extended
A- Max. Digging Depth	4600 MM	5700 MM
B- Max. Reach From Rear Axle Centre	7000 MM	8000 MM
C- Max. Reach From Swing Centre	5700 MM	6750 MM
D- Max. Digging Height	5600 MM	6500 MM
E- Max. Dumping Height	3850 MM	4600 MM
F- Loading Reach	1800 MM	2650 MM
G- Bucket Rotation Angle	200,4 °	200,4 °
H- Max. Bucket Hinge to Pin Height	4750 MM	5550 MM

### Loader Dimensions

Loader Dimensions	
I- Distance Between Hinge Pin and Front Axle Centre	1390 MM
J- Max. Rollback Angle, Fully Raised	64 °
K- Dump Height	2950 MM
L- Loadover Height	3455 MM
M- Height to Hinge Pin	3754 MM
N- Max. Reach at Full Height	1280 MM
O- Dumping Reach	790 MM
P- Digging Depth	113 MM
R- Dump Angle	48°

## STANDARD EQUIPMENT

### Engine system

- Air cleaner, dry type and radial seal
- Air filter condition indicator lamp
- Starting system thermal aid
- Turbocharged

### Electrical System

- Alarm, backup
- Battery, 12 V, 120 Ah
- Front headlights
- Master switch
- Visual and audible warning systems on main functions
- Warning horn

### Drive Train

- Electro-hydraulic differential lock
- 4 WD
- 40 km/h Transmission

### Attachments, Front Loader

- General purpose bucket
- Loader arm safety strut

### Attachments, Backhoe

- Electro-hydraulic side shifting lock
- Unique boom lock design with maximum safety
- Standard-duty bucket (600mm)
- Stabilizer safety check valves

### ROPS/FOPS Cab

- Adjustable seat with seat belt and armrest
- Adjustable steering column
- Cab recirculating fan
- Lighter
- Front windshield washer and wiper
- Left-right side doors with locks
- Mirrors, exterior (2), interior (1)
- Rear windshield wipers
- Rotating beacon (detachable)
- Steering wheel spinner knob
- Sunvisor
- Tinted glass
- Tool box, external
- Ventilation openers
- Working lights, 2 front and 4 rear



- Illustrations and data may differ from standard equipment.
- Specifications are subject to change without notice.
- See your CUKUROVA dealer for available options.

## Optional Equipment

### Attachments, Front Loader

- Bolt-on segment
- Electrohydraulic Suspension System
- Fork Attachment
- Mechanical/Hydraulic Quick Attachment
- Multipurpose 6 in 1 Loader Bucket
- Safety Check Valves
- Snow Plough

### Attachments, Backhoe

- Auger
- Backhoe quick coupler
- Compactor
- Different size of backhoe buckets
- Grading bucket
- Grapple
- Hydraulic hammer piping
- Hydraulic Hammer
- Safety Check Valves
- Telescopic Boom
- Trapezoidal Bucket

### Other

- Air Condition
- Air pre-cleaner
- Front Mudguards
- Fuel Pre-Heater
- 4WD Shaft Guard
- Engine Block Heater Kit
- Mechanical Boom Lock (from cabine)
- LED Working Lamps
- Canopy Cabine
- High Amp Gel Battery
- Battery Protection



# ÇUKUROVA

Makina İmalat ve Ticaret A.Ş.

With a keen awareness of its international positioning, as a pre-requisite of success and growth in a truly global era, Çukurova Makina manages collaborations with leading international partners in Turkey and abroad aiming at long-term benefit of our customers, business partners and staff. These cooperative efforts aim to achieve the highest quality of products and service delivery by Çukurova Makina where it has presence in global.

Sahin Mah. Sait Polat Blv. No:322 /ATarsus - Mersin / TURKIYE

Phone : 0090 324 616 26 78 Fax : 0090 324 616 32 20 E-mail : export@cumitas.com

Your local dealer

[www.cumitas.com](http://www.cumitas.com)

